

NZ Windlasses and Winches

windlassnz@gmail.com

33 McCahill Views Botany Downs Howick Auckland 2010
Ph 09 5355673 Text 021 1420823 www.windlassnz.yolasite.com

Catalogue- ex Auckland wholesale pricing- includes GST- Freight extra (note: prices are subject to adjustment, please confirm current price when ordering.)
NZ National Distributor of NYSM Mfg Co Ltd marine windlasses, winches and associated anchoring products

Vertical Windlasses for Boats and Yachts

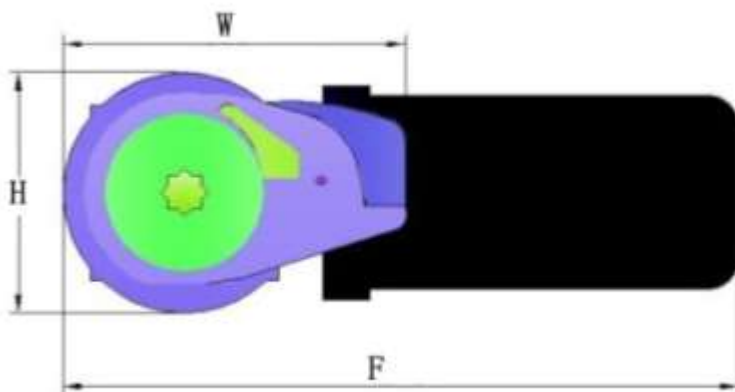
- Vertical design suits powerboats or sailboats, can be utilized for anchoring, as docking capstans on larger craft, or for auxiliary line hauling.
- High-quality polished 316 stainless steel surface makes for a beautiful appearance
- Simplified installation by modular design and precise alignment of gearbox to the top unit and the motor may be placed in four different positions in relation to the top unit
- Three-year manufacturers warranty (one year on electrical parts)
- Rope-chain gypsy for combination warps choice of two gypsy sizes for each model windlass
- Kit includes hand-switch, foot-switch, reversing solenoid, manual and clutch handle

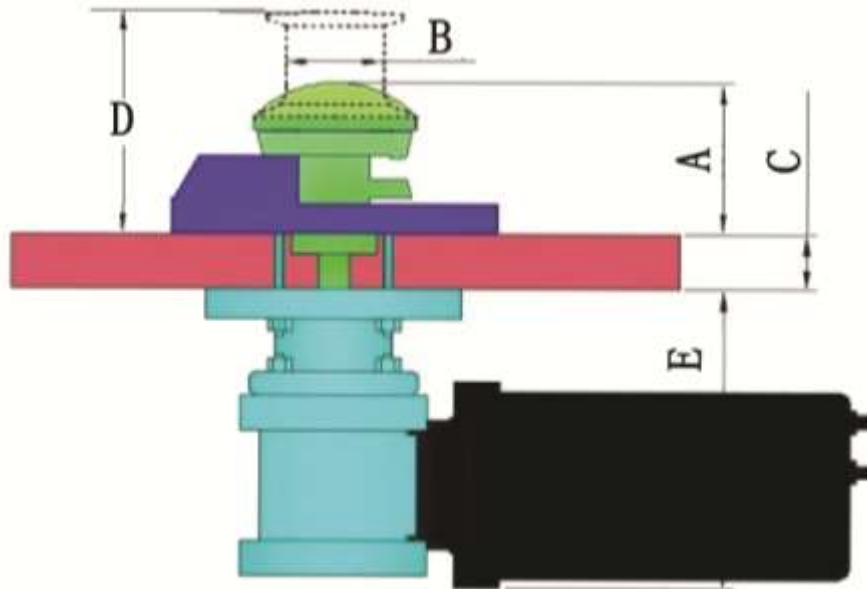


Vertical Windlass Specifications

Model	Net Weight(KG)	Power Supply	Motor(W)	No load absorption	Max. Load	Max. Pull	Line Speed	Rope Size	Chain Size	NZ\$ Price
YD411	12	12V/24V	400W	30A	125kg	420kg	20m/min	12-14mm	6-7mm	\$765
YD411H	12.6	12V/24V	400W	30A	130kg	450kg	20m/min	12-14mm	6-7mm	\$840
YD511	12.3	12V/24V	600W	60A	186kg	560kg	20m/min	12-14mm	6-7mm	\$815
YD511H	13	12V/24V	600W	60A	210kg	600kg	20m/min	12-14mm	6-7mm	\$875
YD611	19	12V/24V	800W	100A	250kg	700kg	20m/min	16-20mm	8-10mm	\$1055
YD611H	21	12V/24V	800W	100A	280kg	700kg	20m/min	16-20mm	8-10mm	\$1115
YD711	24	12V/24V	1200W	120A	400kg	1200kg	20m/min	16-20mm	8-10mm	\$1415
YD711H	25.5	12V/24V	1200W	120A	400kg	1200kg	20m/min	16-20mm	8-10mm	\$1535
YD811	26	12V/24V	1600W	140A	560kg	1600kg	20m/min	16-20mm	8-10mm	\$1655
YD811H	27.5	12V/24V	1600W	140A	560kg	1600kg	20m/min	16-20mm	8-10mm	\$1725
YD811	29	12V/24V	2000W	170A	660kg	1900kg	20m/min	20-24mm	10-12.5mm	\$1995
YD811H	31.5	12V/24V	2000W	170A	660kg	1900kg	20m/min	20-24mm	10-12.5mm	\$2065
YD1011	25	12V/24V	1600W	140A	560kg	1600kg	20m/min	20-24mm	10-12.5mm	\$2185
YD1011H	27.5	12V/24V	1600W	140A	560kg	1600kg	20m/min	20-24mm	10-12.5mm	\$2280
YD1011	30.5	12V/24V	2000W	170A	660kg	1900kg	20m/min	20-24mm	10-12.5mm	\$2475
YD1011H	33	12V/24V	2000W	170A	660kg	1900kg	20m/min	20-24mm	10-12.5mm	\$2595

Vertical Windlass Dimensions





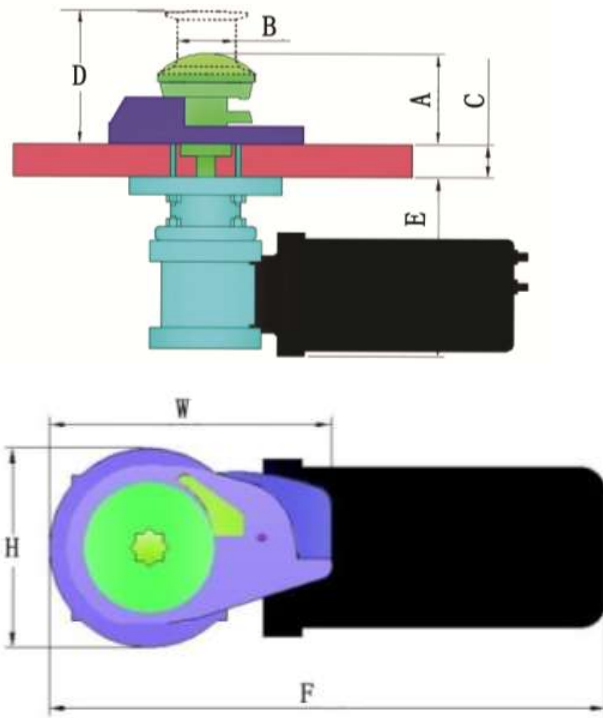
Model	Motor(W)	A(mm)	B(mm)	C(mm)	D(mm)	E(mm)	F(mm)	H(mm)	W(mm)
YD411	400	85		22-41		140	265	122	180
YD411H	400		59	22-41	115	135	265	122	181
YD511	600	85		22-41		140	275	122	180
YD511H	600		59	22-41	115	135	275	122	181
YD611	800	110		38-54		145	320	155	220
YD611H	800		79	38-54	165	145	320	155	220
YD711	1200	110		38-54		172	350	170	265
YD711H	1200		79	38-54	165	172	350	170	265
YD811	1600	110		38-54		172	385	170	265
YD811H	1600		79	38-54	165	172	385	170	265
YD811	2000	110		38--54		195	455	170	265
YD811H	2000		79	38--54	165	195	455	170	265
YD1011	1600	130		38-54		172	385	195	295
YD1011H	1600		110	38-54	235	172	385	195	295
YD1011	2000	130		38-54		172	415	195	295
YD1011H	2000		110	38-54	235	172	415	195	295

Vertical Windlasses for 220-240V or 380V AC Power

Model	Net Weight(kg)	Power Supply(A C)	Motor(W)	No load absorption	Max. Load	Max. Pull	Line Speed	Rope Size	Chain Size	NZ\$ Price
YD911	31KG	220V/380V	2000W	6A	700-1200kg	1500-2500kg	20m/min	16-20mm	8-10mm	\$1725
YD911H	33KG	220V/380V	2000W	6A	700-1200kg	1500-2500kg	20m/min	16-20mm	8-10mm	\$1800
YD911	35KG	220V/380V	3000W	8A	1000-1500kg	2300-2800kg	20m/min	16-20mm	8-10mm	\$2015
YD911H	37KG	220V/380V	3000W	8A	1000-1500kg	2300-2800kg	20m/min	16-20mm	8-10mm	\$2115
YD1011	31.7KG	220V/380V	2000W	6A	700-1200kg	1500-2500kg	20m/min	20-24mm	10-12.5mm	\$2065
YD1011H	34.7KG	220V/380V	2000W	6A	700-1200kg	1500-2500kg	20m/min	20-24mm	10-12.5mm	\$2185
YD1011	36.5KG	220V/380V	3000W	8A	1000-1500kg	2300-2800kg	20m/min	20-24mm	10-12.5mm	\$2325
YD1011H	38.5KG	220V/380V	3000W	8A	1000-1500kg	2300-2800kg	20m/min	20-24mm	10-12.5mm	\$2595



2000W&3000W (AC) Dimension



Model	Motor(AC)	A(mm)	B(mm)	C(mm)	D(mm)	E(mm)	F(mm)	H(mm)	W(mm)
YD911	2000W	110		38-54		220	465	170	265
YD911H	2000W		79	38-54	165	220	465	170	265
YD911	3000W	110		38-54		220	485	170	265
YD911H	3000W		79	38-54	165	220	485	170	265
YD1011	2000W	130		38-54		225	465	195	295
YD1011 H	2000W		110	38-54	235	225	465	195	295
YD1011	3000W	130		38-54		225	485	195	295
YD1011 H	3000W		110	38-54	235	225	485	195	295

Windlass Accessories

Reversing Solenoid

Price: 70A- NZ\$40 100A-NZ\$50

Operates anchor windlass system from 400 to 1600 watts 12 & 24 volts. The control boxes are reliable and compact in size. The external connections on the control boxes make them very easy to install.



Foot-Switch **Price: NZ\$20**

UP & DOWN switch with a safety cover to prevent accidental push button operation. Usually mounted on deck near the anchor windlass.



Remote Control **Price: NZ\$50**

With a wireless remote control installed you will have full control of windlass operation wherever you are on board. The control consists of a transmitter and a receiver.



Circuit Breaker **Price: NZ\$30**



Protects your windlass motor and high current wiring circuits. Available in 50A, 80A or 100A to suit various installations

Switches for AC Motor controls

Hand-Switch 02 AC **Price: NZ\$30**

An easily installed water tight hand control.
Completely maintenance free with a 2 m cable.
The hand-switch is only used with a two-phase
A.C. motor installation



Hand-Switch 03 AC **Price: NZ\$30**

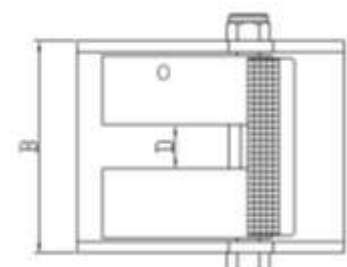
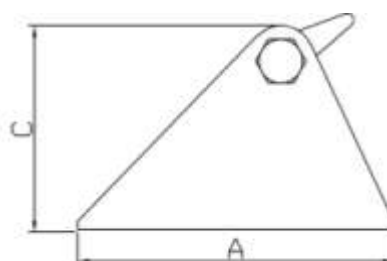
An easily installed water tight hand control.
Completely maintenance free with a 2 m cable.
The hand-switch is only used with a three-phase
AC motor installation.



Chain Stopper

Windlasses are not designed to hold high loads while a boat is at anchor. When the windlass is not in use and the boat is at anchor, the chain should be secured using a chain stopper or the rope rode should be attached to a load-bearing point such as a cleat.

NO.	Price NZ\$	A(mm)	B(mm)	C(mm)	D(mm)
YDCS001	\$30	98	59	64	15.5
YDCS002	\$40	116	78	80	20

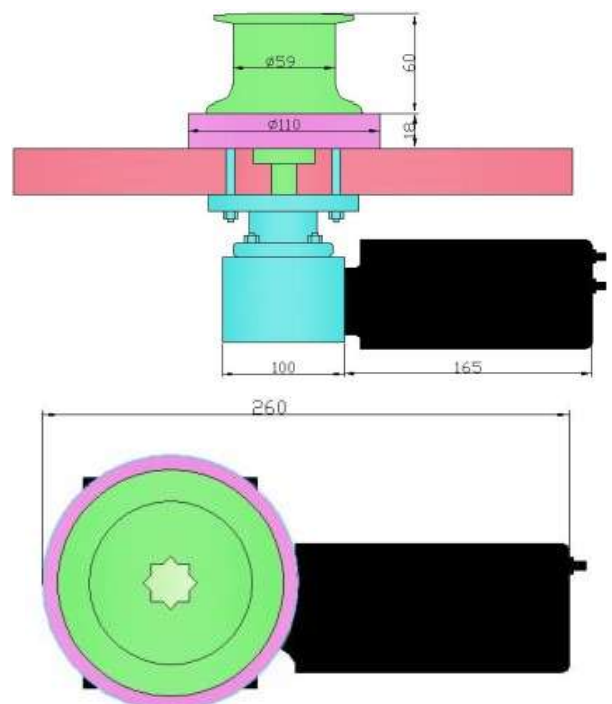
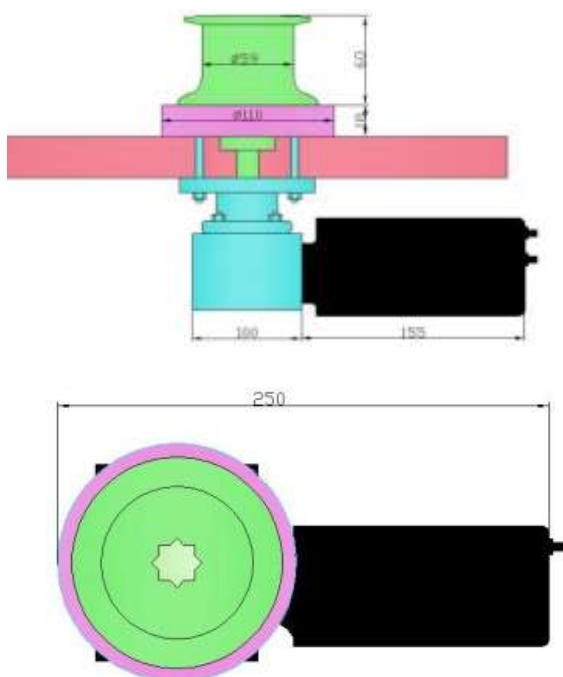


VC Series Capstans for above deck tailing

Designed for simple, low cost anchor recovery on smaller boats and rope hauling on larger vessels

- line hauling from any direction
- High quality finish on above deck components
- Simplified through deck installation by modular design and precise alignment of gearbox to the top unit utilizing marine-grade stainless steel bolts
- Compact, reliable gearbox, made of corrosion resistant material
- Heavy duty dual direction motors, designed for marine winches
- Easily disassembled for servicing
- Kit includes hand-switch, foot-switch, reversing solenoid, manual and clutch handle

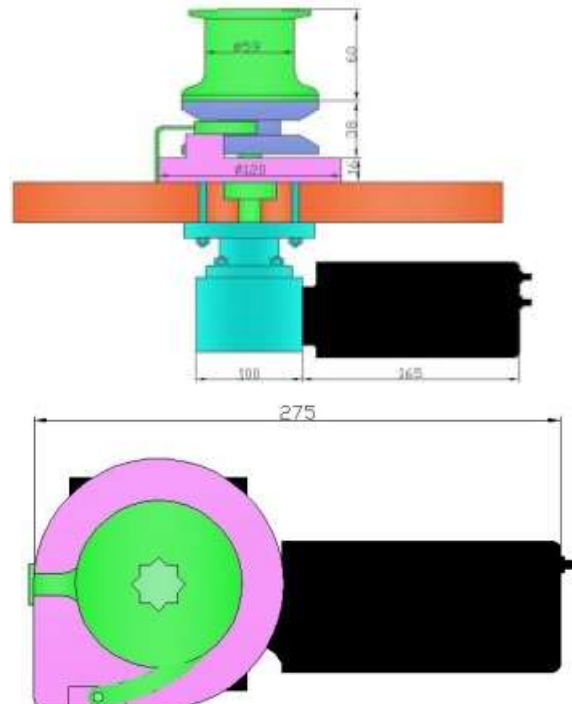
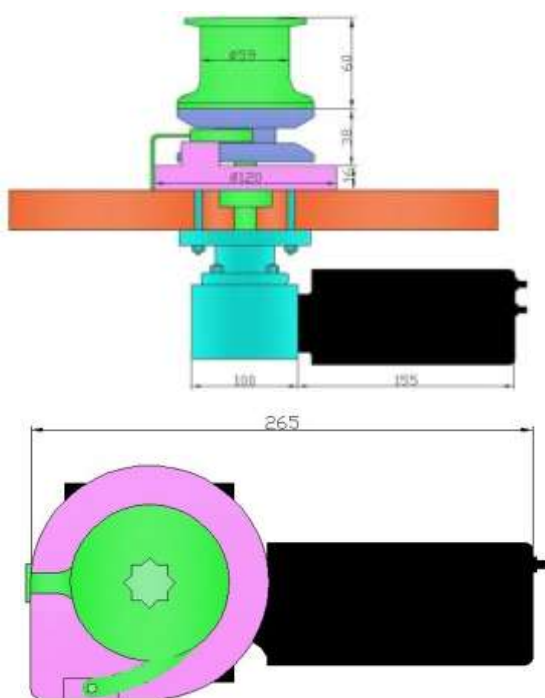
Model	Net Weight(DC)	Power Supply(DC)	Motor(Watts)	No load absorption	Max. Load	Max. Pull	Line Speed	Rope Size	Chain Size	NZ\$ Price
YDVC-001	17kg	12V or 24V	400W	30A	190kg	680kg	20m/min	12mm	6-7mm	\$695
YDVC-002	22kg	12V or 24V	600W	60A	350kg	950kg	20m/min	14-16mm	8-10mm	\$895



VC Series Vertical Windlasses for above deck tailing

- Designed for rope and chain combination anchor rodes
- line hauling from any direction
- High quality finish on above deck components
- Simplified through deck installation by modular design and precise alignment of gearbox to the top unit utilizing marine-grade stainless steel bolts
- Compact, reliable gearbox, made of corrosion resistant material
- Heavy duty dual direction motors, designed for marine winches
- Easily disassembled for servicing
- Kit includes hand-switch, foot-switch, reversing solenoid, manual and clutch handle

Model	Net Weight(DC)	Power Supply(DC)	Motor(Watts)	No load absorption	Max. Load	Max. Pull	Line Speed	Rope Size	Chain Size	NZ\$ Price
YDVC-003	7kg	12V or 24V	400W	30A	125kg	420kg	20m/min	12mm	6-7mm	\$795
YDVC-004	9kg	12V or 24V	600W	60A	210kg	600kg	20m/min	12mm	6-7mm	\$975



Horizontal Deck Mounted Windlass – For use where decks are not suited for a vertical windlass installation

Features

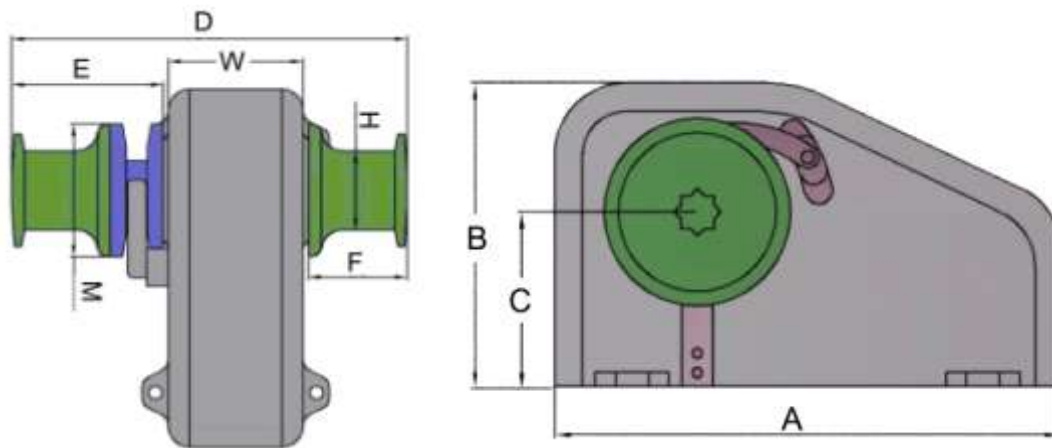
- Designed for automatic horizontal handling of chain only anchor rodes while offering an independent capstan for the retrieval of a secondary rope and chain rode or to assist with docking procedures
- Optional dual anchor handling with independent control of each chain-wheel via cone clutches
- Simple deck mounted installation with no under deck parts
- Simplified maintenance with ability to strip the running gear (chain-wheel and drum) from the windlass without disturbing the windlass mounting
- Heavy duty, dual direction motor, designed for marine winches
- Marine-grade alloy casting pretreated, powder coated and finished with a two component white polyurethane paint
- Kit includes hand switch, reversing solenoid, manual and clutch handle



Model	Net Weight	Power Supply	Motor(Watts)	No load absorption	Max. Load	Max. Pull	Line Speed	Rope Size	Chain Size	NZ\$ Price
YDH-011	16kg	12V or 24V	600W	50A	190kg	600kg	20m/min	12-14mm	6-7mm	\$1095
YDH-012	25.2kg	12V or 24V	1000W	90A	350kg	750kg	20m/min	14-16mm	8-10mm	\$1655
YDH-013	32	12V or 24V	1400W	125A	520KG	1100KG	20m/min	18-20mm	8-10mm	\$1845
YDH-013	33.7	12V or 24V	1600W	140A	660KG	1400KG	20m/min	20-24mm	10-12mm	\$1965
YDH-014		220V/380V	2000W	6A	900kg	2000kg	20m/min	20-24mm	10-12.5mm	\$2325
YDH-014		220V/380V	3000W	9A	1200kg	2500kg	20m/min	20-24mm	10-12.5mm	\$2445

YDH Dimensions

Model	Motor(watts)	A(mm)	B(mm)	C(mm)	D(mm)	E(mm)	F(mm)	H(mm)	M(mm)	W(mm)
YDH-011	600W	310	170	105	295	98	63	59	89	120
YDH-012	1000W	410	215	125	380	145	95	79	132	130
YDH-013	1400W	435	235	145	430	155	95	79	132	170
YDH-013	1600W	435	235	145	430	155	95	79	132	170
YDH-014	2000W,A.C.	590	310	200	560	178	120	100	145	255
YDH-014	3000W,A.C.	590	310	200	560	178	120	100	145	255



Polished Stainless Steel Horizontal Deck Mounted Windlass With Vertical Motor for minimal under deck projection.

Features

- Designed for automatic horizontal handling of chain and rope anchor lines while offering an independent capstan for the retrieval of a secondary rope or to assist with docking procedures
- Simple through- deck mounted installation without the need to marry a separate motor /gearbox to the top unit
- Heavy duty, dual direction motor, designed for marine winches
- Marine-grade mirror polished stainless steel housing gives a beautiful yet husky appearance
- Kit includes hand switch, reversing solenoid, manual and clutch handle



Model	Net Weight	Power Supply	Motor(Watts)	No load absorption	Max. Load	Max. Pull	Line Speed	Rope Size	Chain Size	NZ\$ Price
HTZ-011	16kg	12V or 24V	600W	50A	190kg	600kg	25m/min	12-14mm	7mm	\$985
HTZ-012	25.2kg	12V or 24V	800W	90A	350kg	750kg	25m/min	14-16mm	8mm	\$1255
HTZ-013	32	12V or 24V	1000W	125A	520KG	1100KG	25m/min	18-20mm	10mm	\$1435
HTZ-013	33.7	12V or 24V	1200W	140A	660KG	1400KG	25m/min	20-24mm	10mm	\$1615

Vehicle Trailer Winch



ITEM	Power supply	Rolling capacity	Pulling Capacity	Cable Length	Maximum Boat size	Maximum Boat Weight	Line Speed	Net Weight	NZ\$ Price
EB2000	12V or 24V	5000 Lbs	2000 Lbs	30 Feet	18 Feet	5000 Lbs	6 feet/min	8.5kg	\$85
EB3000	12V or 24V	7500 Lbs	3000 Lb	30 Feet	20 Feet	5000 Lbs	6 feet/min	11kg	\$110

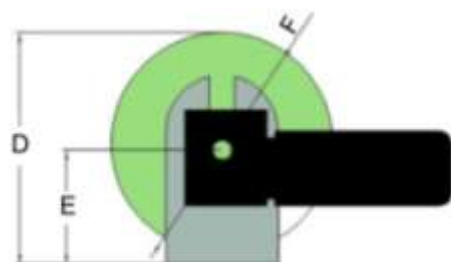
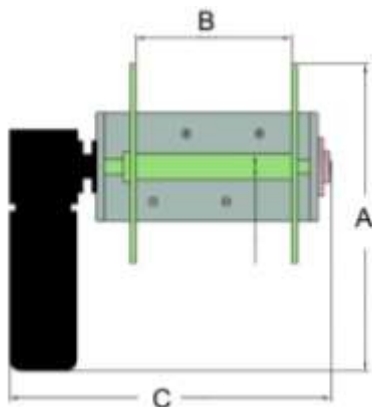
Reel Winches or Line Haulers

Features

- The compact, fully sealed gearbox is driven by a vertically mounted, permanent magnet motor
- Gearbox housings are marine grade alloy and drum is Marine 316 Stainless steel
- Line hauling from any direction
- The base and the bolt are stainless steel
- Easily disassembled for servicing
- Kit includes manual, hand-switch and reversing solenoid

Specifications

Model	Net Weight(D C)	Power Supply(DC)	Motor(Watts)	No load absorp tion	Max. Load	Max. Pull	Line Speed	Rope Size	Chain Size	NZ\$ Price
YDW-011	16kg	12V or 24V	600W	50A	190kg	600kg	20m/min	6-8mm	5-6mm	\$995
YDW-012	23kg	12V or 24V	1000W	90A	350kg	750kg	20m/min	8-10mm	6-8mm	\$1255
YDW-013	31kg	12V or 24V	1400W	120A	480kg	900kg	20m/min	10-14mm	8-10mm	\$1495
YDW-014	32.6kg	12V or 24V	1600W	135A	680kg	1200kg	20m/min	10-14mm	8-10mm	\$1995



Model	Motor(W)	A	B	C	D	E	F
YDW-011	600W	335	206	375	265	140	250
YDW-012	1000W	410	208	393	310	165	290
YDW-013	1400W	435	248	423	350	180	340
YDW-014	1600W	465	248	423	350	180	340

Reel Capacity

YDW-011

- 65 metres of 10mm nylon plus 8 metres of 8mm shortlink chain

OR

- 90 metres of 8mm nylon plus 8 metres of 8mm shortlink chain OR
- 200 metres of 6mm double braid eye spliced to 5 metres of 8mm nylon plus 8 metres of 8mm shortlink chain

YDW-012

- 85 metres of 10mm nylon plus 8 metres of 8mm shortlink chain OR
- 100 metres of 8mm double braid eye spliced to 5 metres of 10mm nylon plus
8 metres of 8mm shortlink chain.

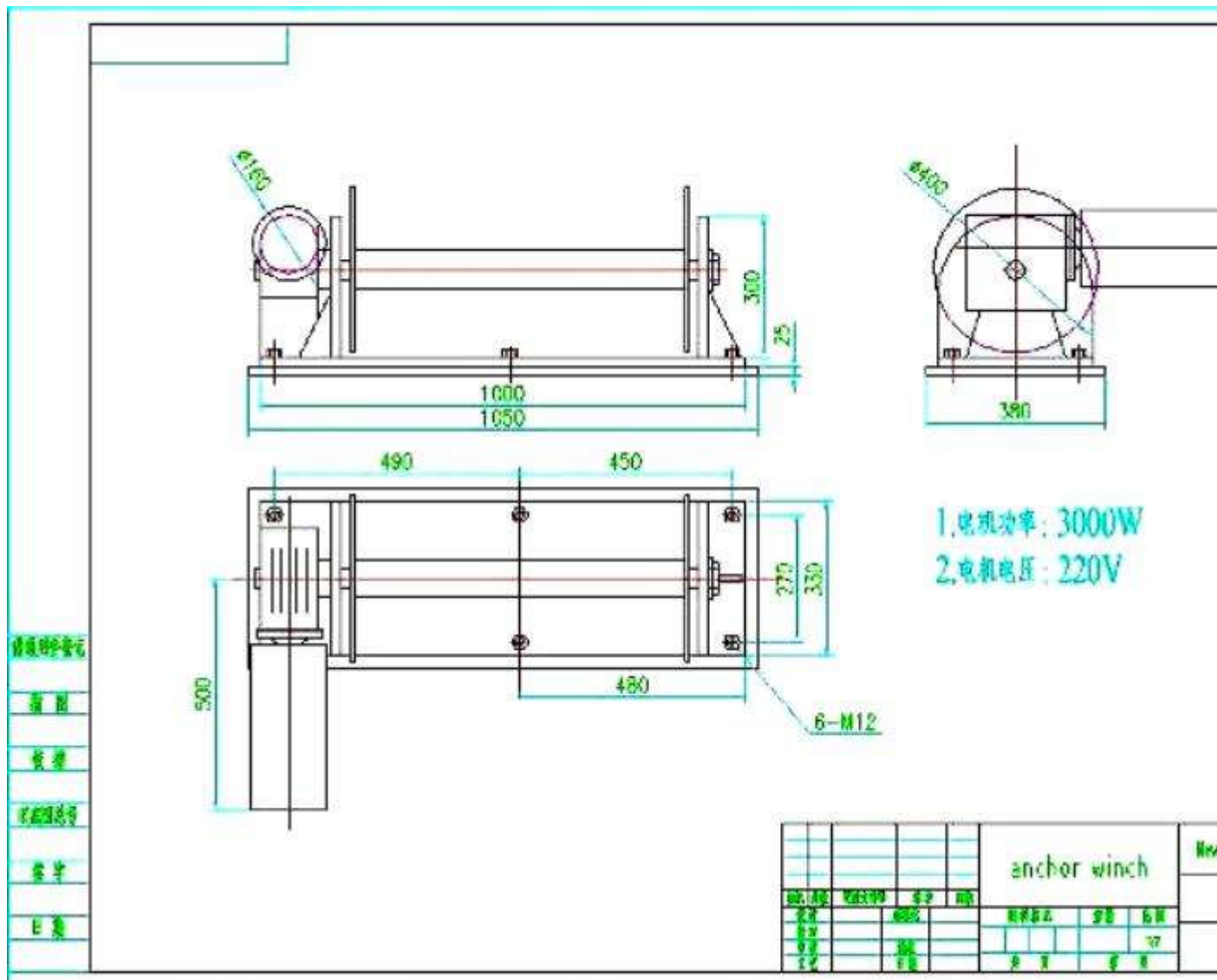
YDW-013

- 170 metres of 8mm nylon plus 8 metres of 8mm shortlink chain OR
- 130 metres of 10mm nylon plus 8 metres of 8mm shortlink chain OR
- 100 metres of 12mm nylon plus 8 metres of 8mm shortlink chain

REEL WINCH FOR LARGER VESSELS NZ\$7995 including rope and chain.

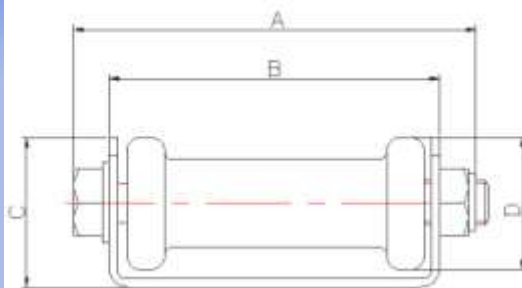
Heavy Duty 3000W 220V AC Reel Winch for larger vessels up to 60 tons displacement. Construction is from marine grade 316 stainless steel. Capacity 120M of 10mm flexible S/S wire rope plus 30M of 10mm galvanized DIN Chain. Winch is supplied complete with new wire rope and chain. Working Load is 1250kg, maximum pull is 2500kg, revolutions 20 rpm, approximate recovery 25 meters/minute.

These are made to order so dimensions may be adjusted to suit your vessel. A strong and robust unit intended to be mounted on deck and make repeated anchoring and retrieving easy. Delivery is approximately 8 weeks from order.

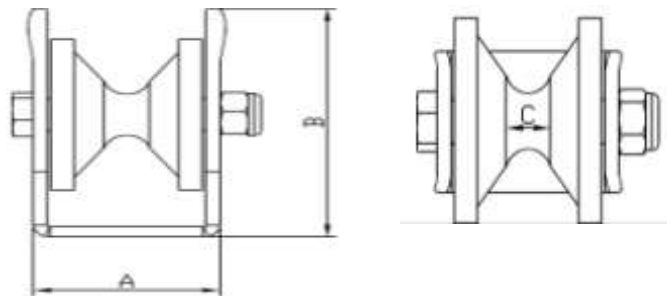
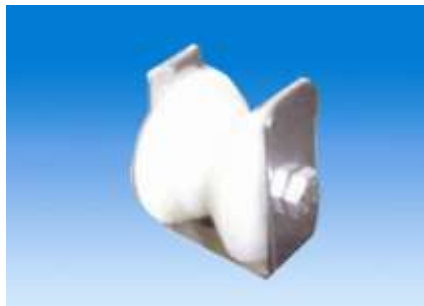


Deck rollers and anchor swivel connector

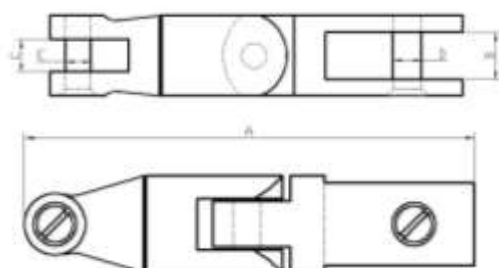
Item	NZ\$Price	A(mm)	B(mm)	C(mm)	D(mm)	E(mm)
YD1001	\$30	188	150	68	50	
YD1002	\$45	257	209	78	70	



Item	NZ\$Price	A(mm)	B(mm)	C(mm)	D(mm)	E(mm)
Y07	\$15	165	51	80		



Double Swivel Anchor Connector	NO.	Price NZ\$	A(mm)	B(mm)	C(mm)	D(mm)	E(mm)
	YD903A	\$20	121.5	16	9	10	8
	YD903B	\$40	163.5	20	13.5	12	10.8



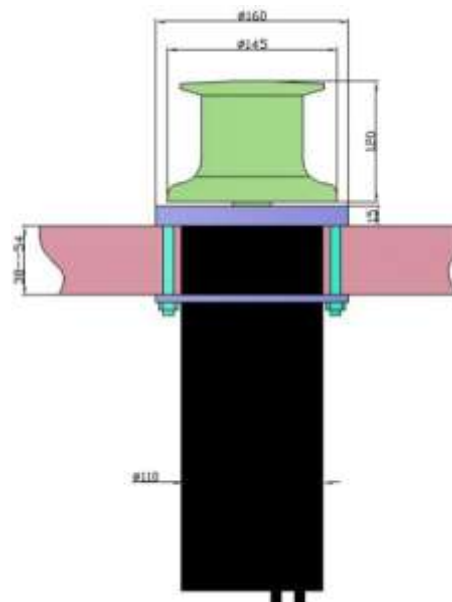
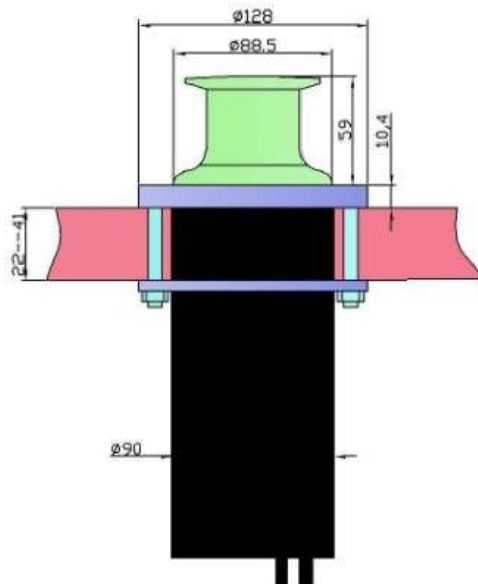
Vertical Through-Deck Capstans

Features

- An extremely versatile vertical capstan or general purpose electric winch for use as an anchor winch, pot hauler or davit winch
- The compact, fully sealed gearbox is driven by a vertically mounted, permanent magnet motor
- Gearbox housings are marine grade alloy and drum is Stainless steel
- line hauling from any direction
- Easily disassembled for servicing, includes hand-switch, foot-switch, manual, reversing solenoid and clutch handle



Model	Net Weight(DC)	Power Supply(DC)	Motor(Watts)	No load absorption	Max. Load	Max. Pull	Line Speed	Rope Size	NZ\$ Price
Capstan-001	7kg	12V or 24V	600W	60A	160kg	320kg	20m/min	12mm	\$660
Capstan-002	14kg	12V or 24V	1000W	80A	260kg	420kg	20m/min	14-16mm	\$950



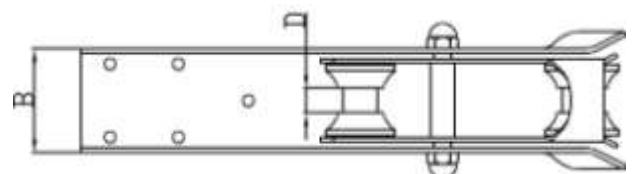
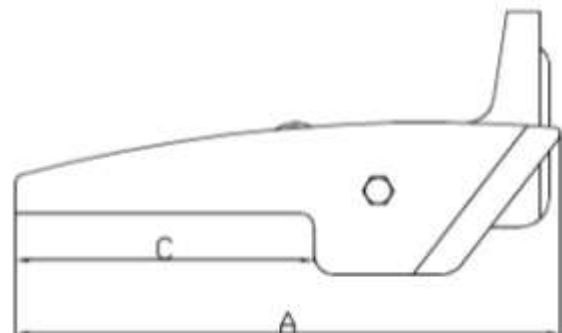
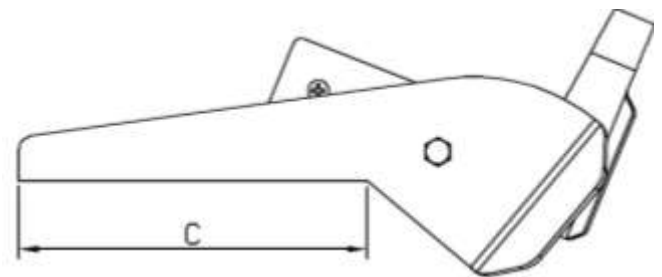
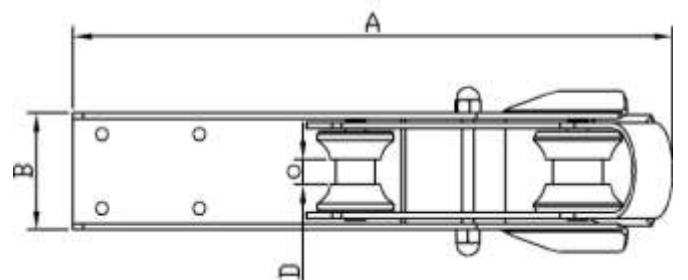
Bow Rollers

Features

- Friction-free surface to make lowering and retrieving the anchor easier
- Helps prevent damage to the deck or topsides
- Allows you to safely stow anchor while cruising and deploy at short notice
- Manufactured from marine 316 stainless steel
- Range of rollers to fit the most common combinations of anchor mounting style and boat

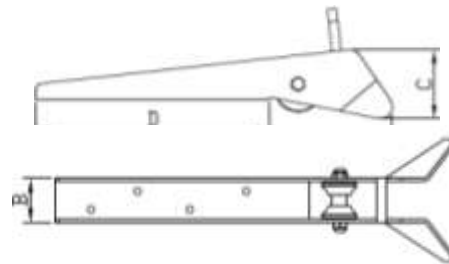
Item	NZ\$Price	A(mm)	B(mm)	C(mm)	D(mm)	E(mm)
Y02	\$115	400	77	230	16	
Y03	\$140	575	78	400	16	
Y04	\$210	725	90	510	16	
Y05	\$275	890	100	620	20	
Y120	\$895	1210	150	860	27.5	

Y02 to Y120 Photo below



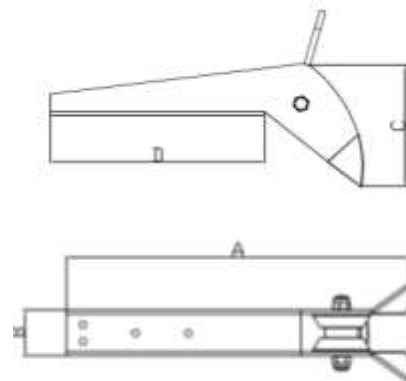
90102 to 90105 photo on previous page

Item	NZ\$Price	A(mm)	B(mm)	C(mm)	D(mm)	E(mm)
90102	\$120	415	78	225	16.5	
90103	\$135	585	80	390	16.5	
90104	\$210	740	90	505	16.5	
90105	\$280	890	100	615	25	



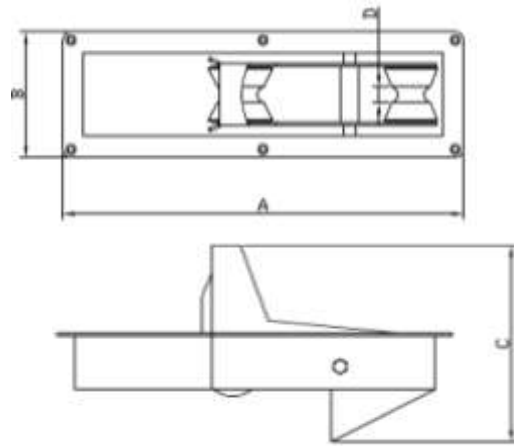
90106 to 90107 photo above

Item	NZ\$Price	A(mm)	B(mm)	C(mm)	D(mm)	E(mm)
90106	\$80	505	72	75	370	16
90107	\$130	680	81	80	540	25

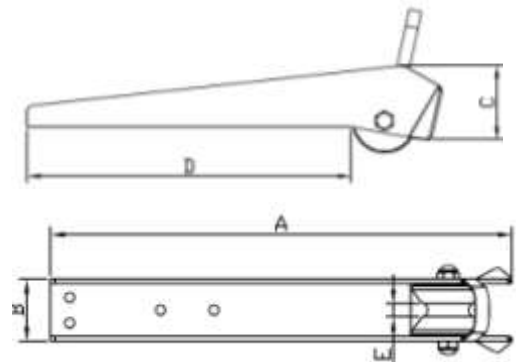


YD11 to YD25 photo above

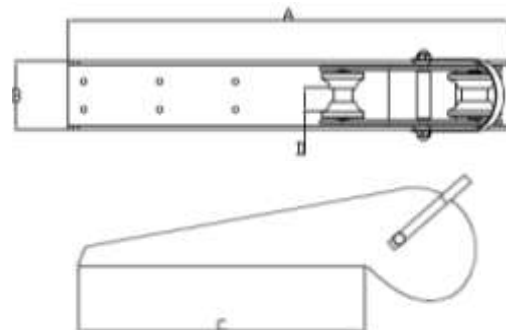
Item	NZ\$Price	A(mm)	B(mm)	C(mm)	D(mm)	E(mm)
YD11	\$35	275	40	95	180	
YD14	\$60	370	50	125	245	
YD25	\$125	615	80	200	400	



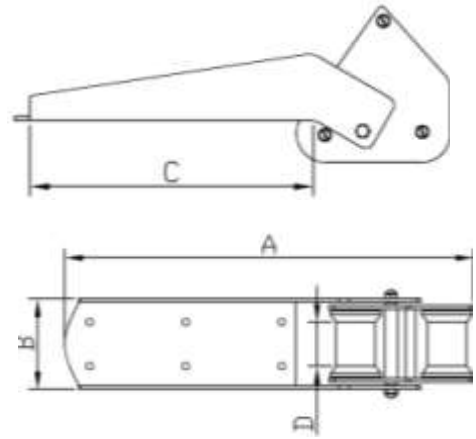
Item	NZ\$Price	B(mm)	C(mm)	D(mm)	E(mm)
YD15	\$105	125	210	16	
YD17	\$130	148	250	26	



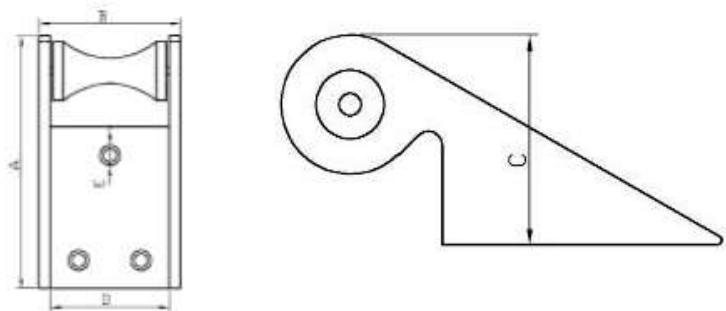
Item	NZ\$Price	A(mm)	B(mm)	C(mm)	D(mm)	E(mm)
YD-16	\$45	400	52	62	310	11
YD-18	\$75	495	75	80	385	16



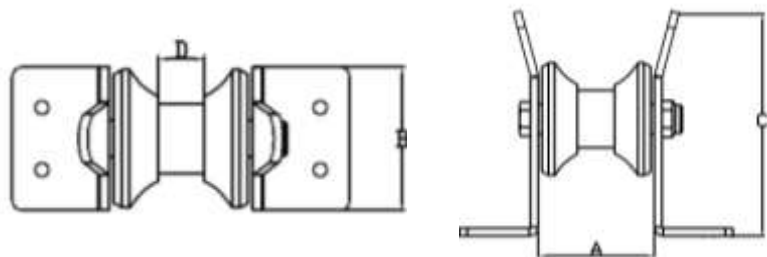
Item	NZ\$Price	A(mm)	B(mm)	C(mm)	D(mm)	E(mm)
90108	\$225	575	90	420	16	



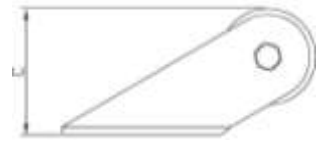
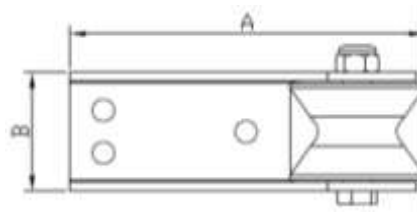
Item	NZ\$Price	A(mm)	B(mm)	C(mm)	D(mm)	E(mm)
90109A	\$200	515	125	320	51	
90109B	\$290	860	125	665	51	



Item	NZ\$Price	A(mm)	B(mm)	C(mm)	D(mm)	E(mm)
90110	\$15	170	64	66	54	6



Item	NZ\$Price	A(mm)	B(mm)	C(mm)	D(mm)	E(mm)
Y08	\$25	47	75	155	11	
Y09	\$30	75	75	155	25	



Item	NZ\$Price	A(mm)	B(mm)	C(mm)	D(mm)	E(mm)
Y06	\$15	165	51	80		

Anchors (available on indent only-we do not hold stock in NZ).

SeastarNZ has a wide range of anchors available in both marine stainless steel and galvanized steel. Anchors and other items not currently stocked are available on indent, approximately 8 weeks delivery time. Contact us for prices and specifications. Left to right, top to bottom: Delta, Danforth, Bruce, Shovel, Grapnel, Plough.

